

Remote Hydrant Pressure Monitoring

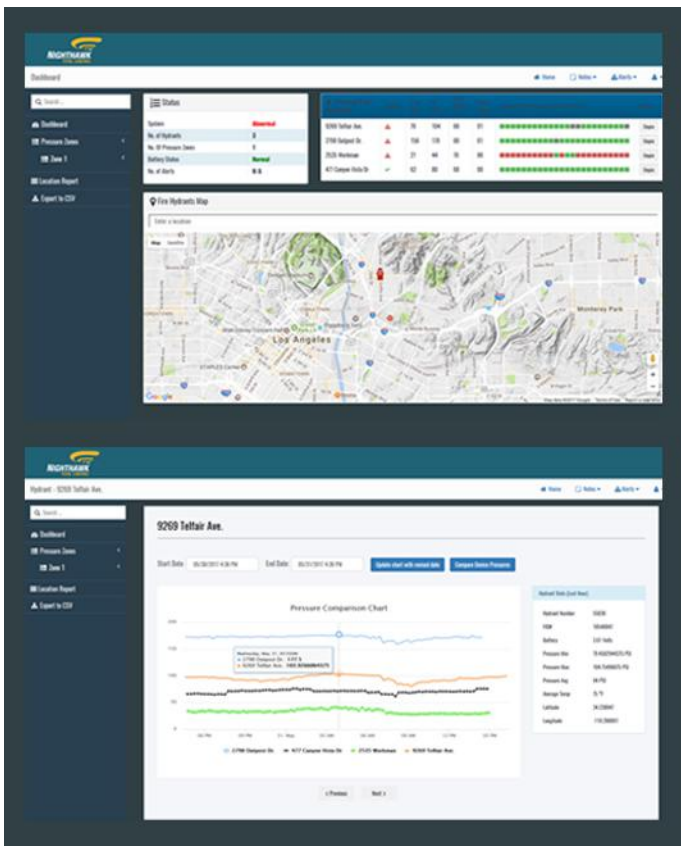
- Portable or Permanent Solution
- Monitoring system pressure
- Hydrant capacity testing
- High speed sampling
- Pressure complaints
- Hydraulic Modeling
- Pressure loss
- Fire flow



Low profile, Self Contained
Plug and play deployment



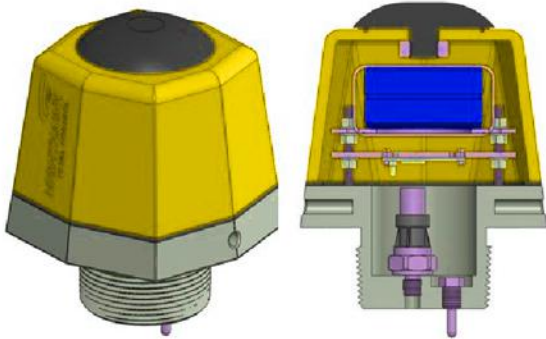
Adaptiv hosted interface provides detailed records, alerts, and mapping of your hydrant pressure monitors



- Real-time pressure alerts
- Cellular Data Connection
- Ductile iron construction
- Screws into access port
- Blends into Hydrant
- Integrated Antenna
- Crow Approved
- 5 Year Battery
- GPS Data

Remote Hydrant Pressure Monitoring

Sensor & Cellular Canister



Top View



Side View



Bottom View



Technical Specifications

Product	Nighthawk Adaptiv Wireless Pressure/Temperature Monitor
Model	WBH-950
Description	Wireless Pressure and temperature monitor for Clow 850 Access port
Pressure Sensor:	Pressure: 500, 1000 psi range Over Pressure: 1000, 2000 psi Burst Pressure: 1500, 3000 psi Resolution: $\pm 0.0625\%$ of full scale Accuracy: $\pm 0.25\%$ of full scale at constant temperature
Temperature Sensor:	Accuracy: $\pm 0.2C$
Data Logging	Sample Rate: Configurable from 20x/sec to daily Data captured includes min, max, average, delta per interval Interval Rate: Configurable from 1/sec to daily GPS Location data Memory: 4MB (over 500,000 data points)
Event/Alert Monitoring	Configurable high/low pressure and temperature thresholds, alert logging time, email addresses/text messages
Battery	Factory installed Lithium 3800 cellular data uploads 5 years at 2 uploads per day, 5 second sampling and 15 minute intervals
Communication	Verizon CDMA cellular modem
Operating Conditions	Operating Temperature: -12° to 149° F Storage Temperature: -20° to 149° F Humidity: 0-100% relative humidity
Software	Nighthawk Adaptiv Water Hosted Software
Enclosure	Ductile Iron / Brass IP65 Thread: Replaces 2 1/2" NPT thread brass plug

**McWane Pressure Monitoring System
Powered by Nighthawk
972-717-5555**

701 Canyon Drive STE 105, Coppell TX 75019